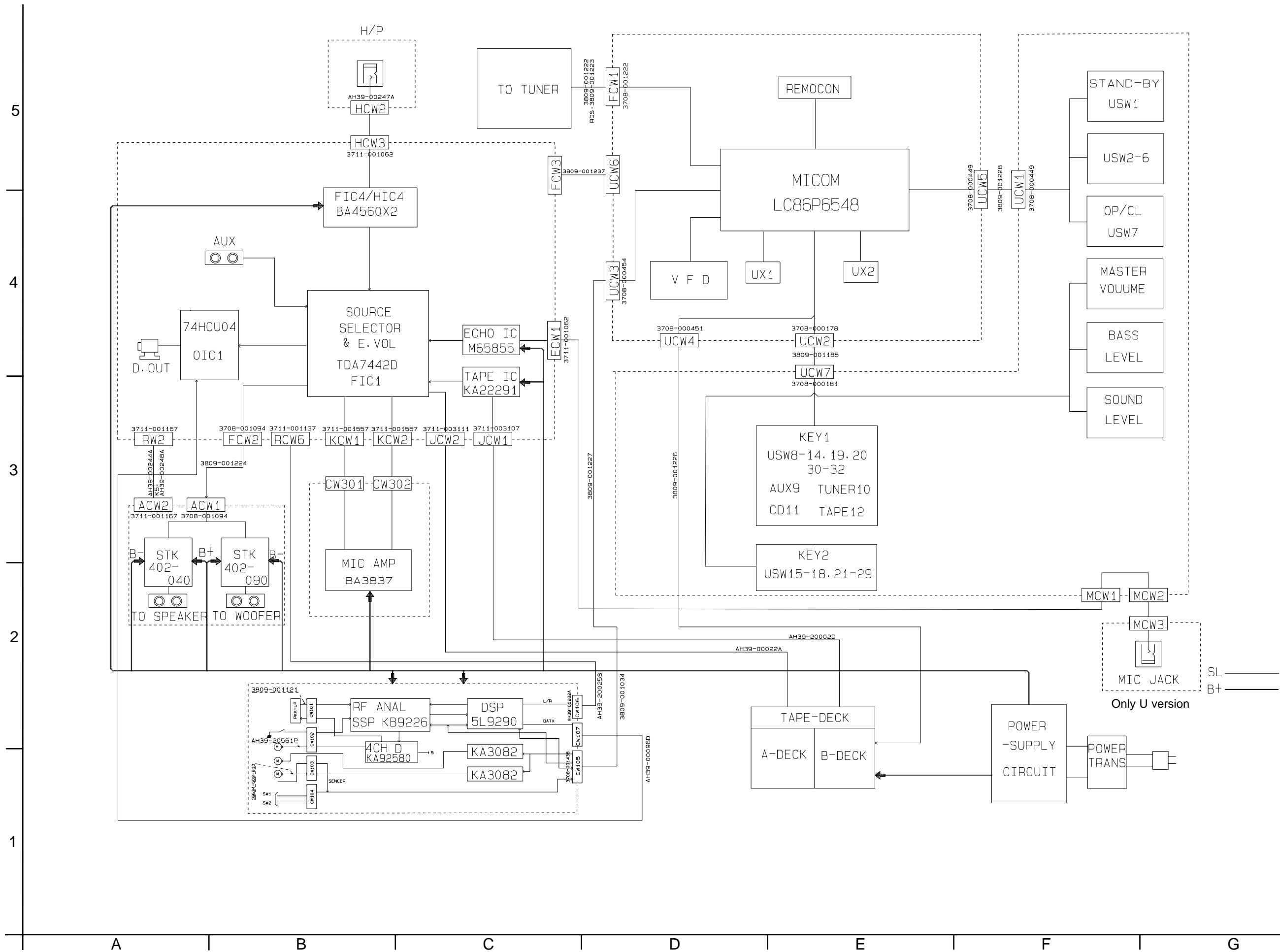


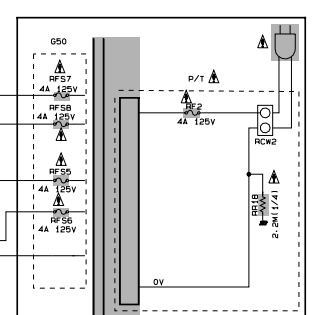
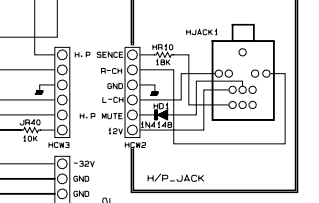
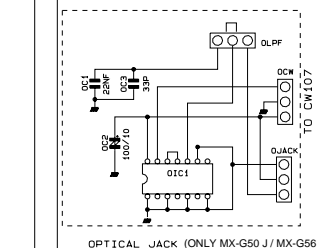
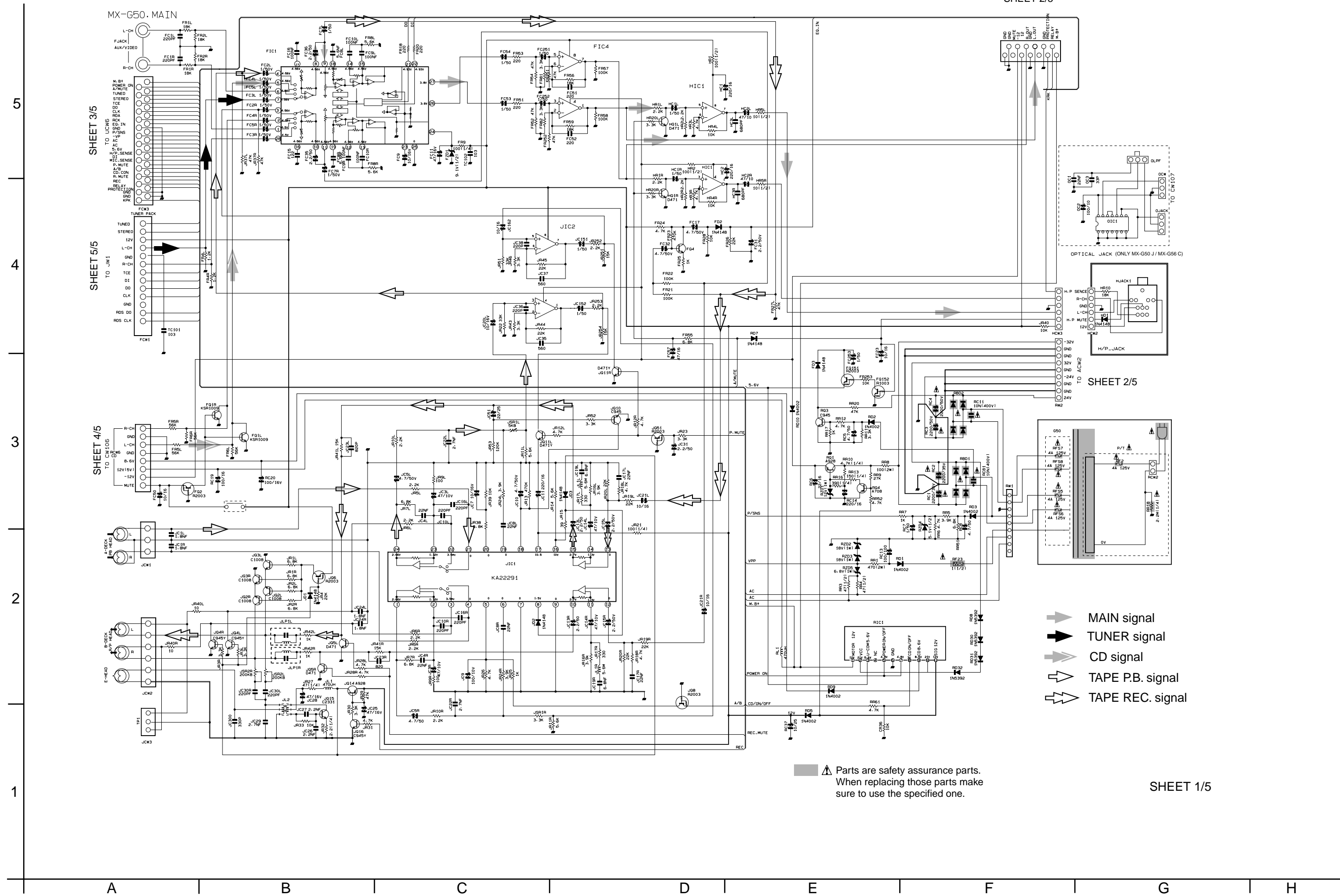
Block diagram



Standard schematic diagrams

Main section

SHEET 2/5

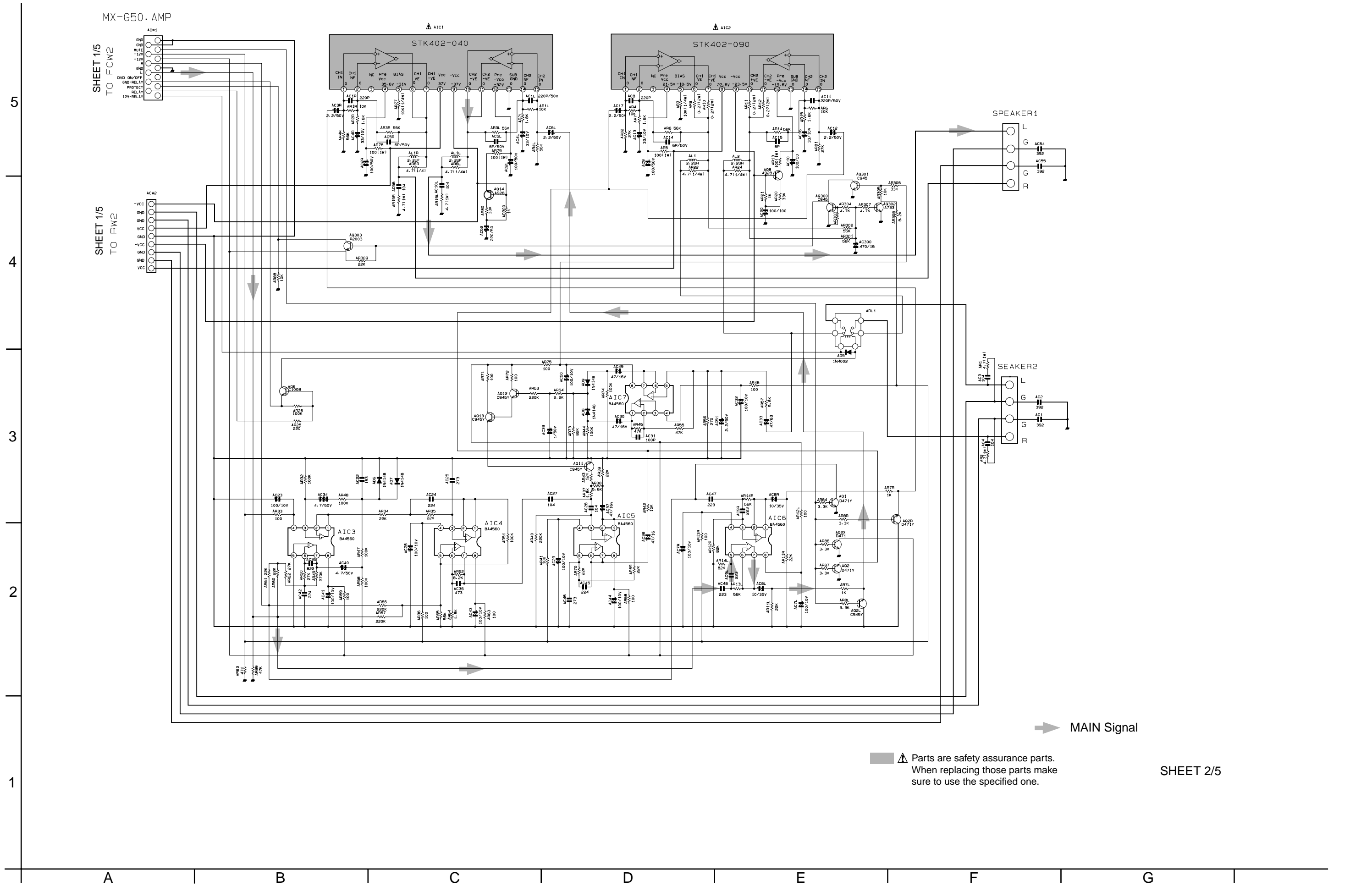


- ➡ MAIN signal
- ➡ TUNER signal
- ➡ CD signal
- ➡ TAPE P.B. signal
- ➡ TAPE REC. signal

⚠ Parts are safety assurance parts. When replacing those parts make sure to use the specified one.

SHEET 1/5

Amplifier section

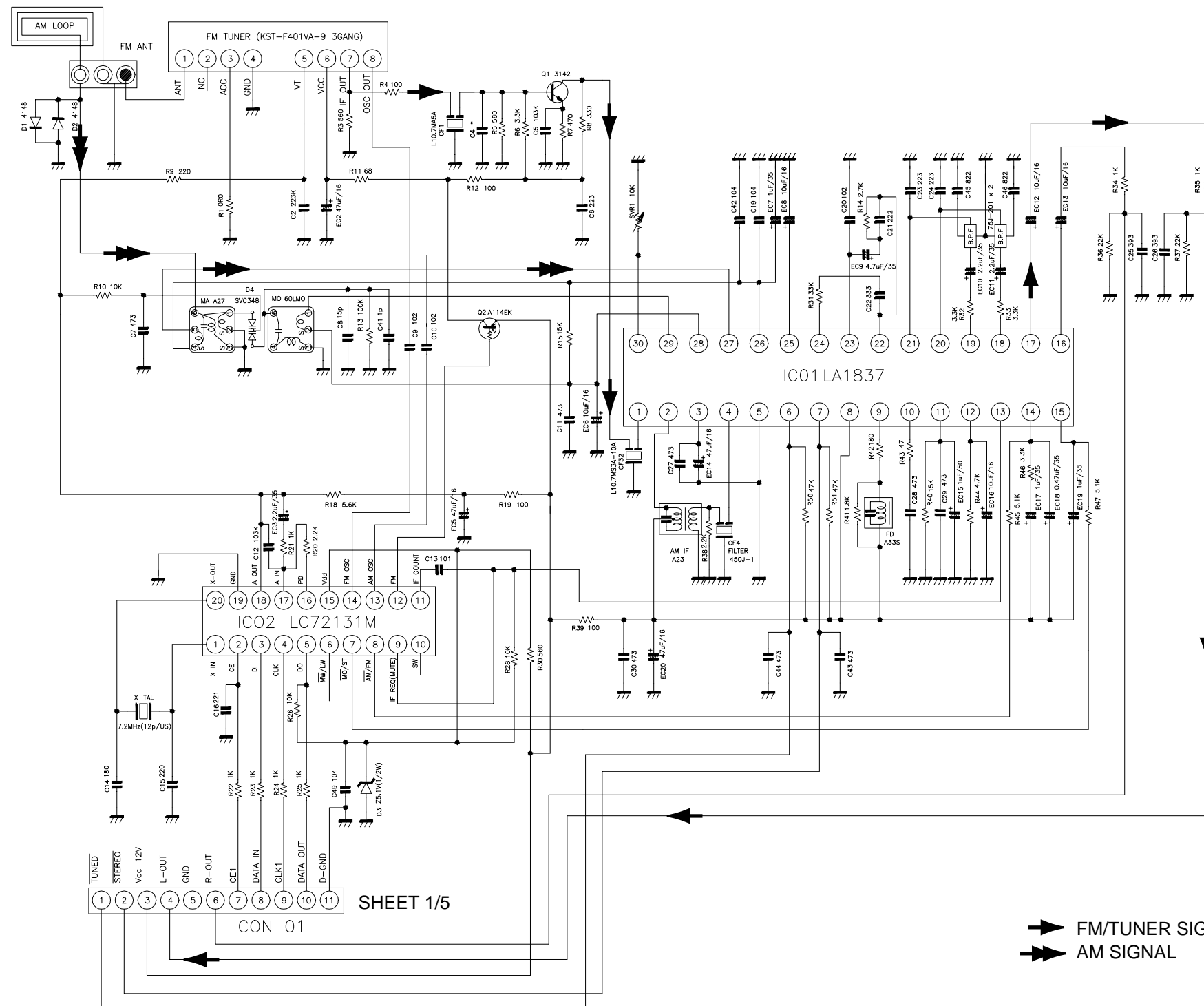


▲ Parts are safety assurance parts.
When replacing those parts make
sure to use the specified one.


SHEET 2/5

Tuner section

5
4
3
2
1



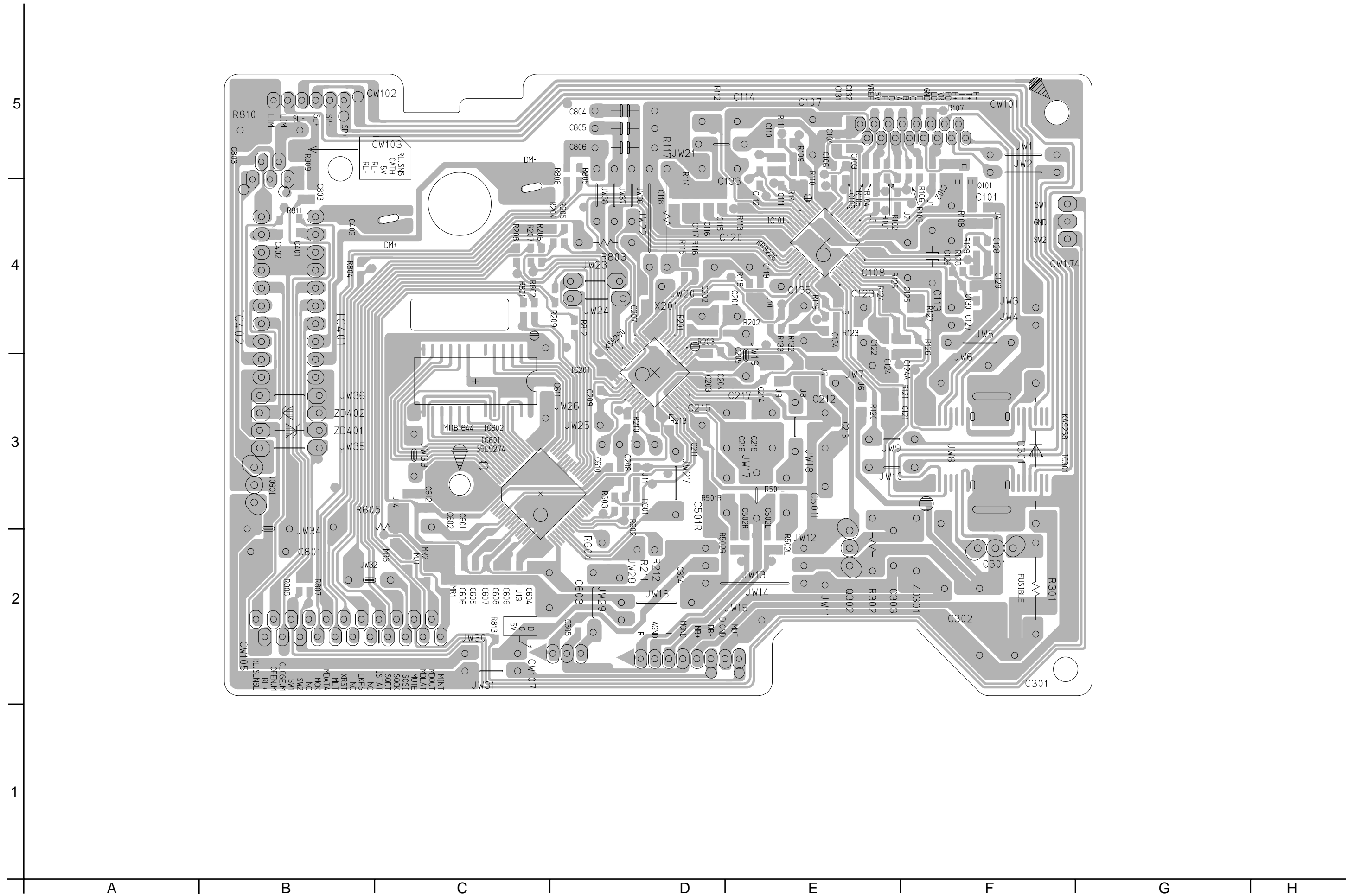
SHEET 1/5

 FM/TUNER SIGNAL
 AM SIGNAL

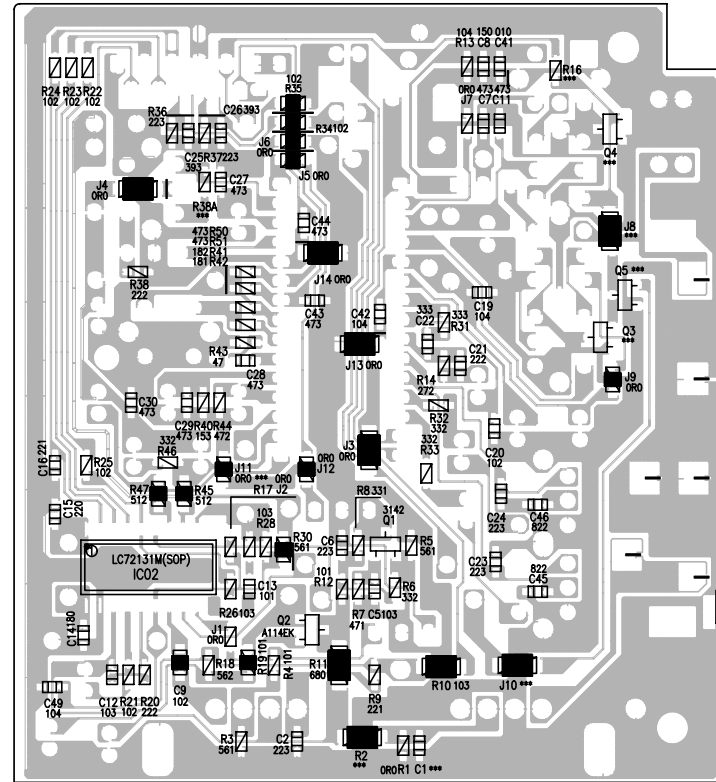
SHEET 5/5

A B C D E F G H

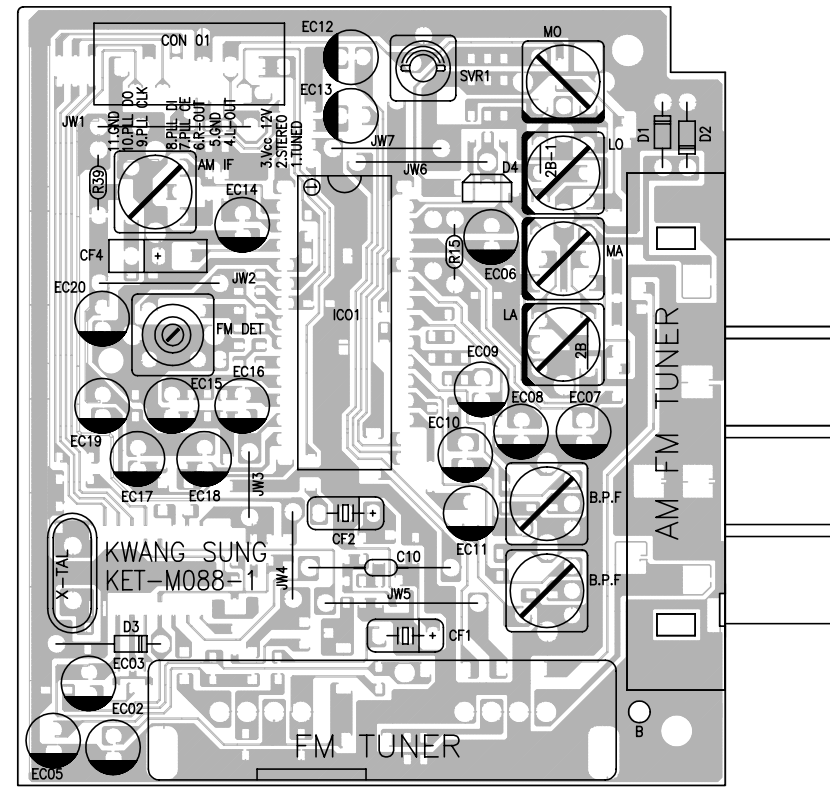
■ CD Servo control board



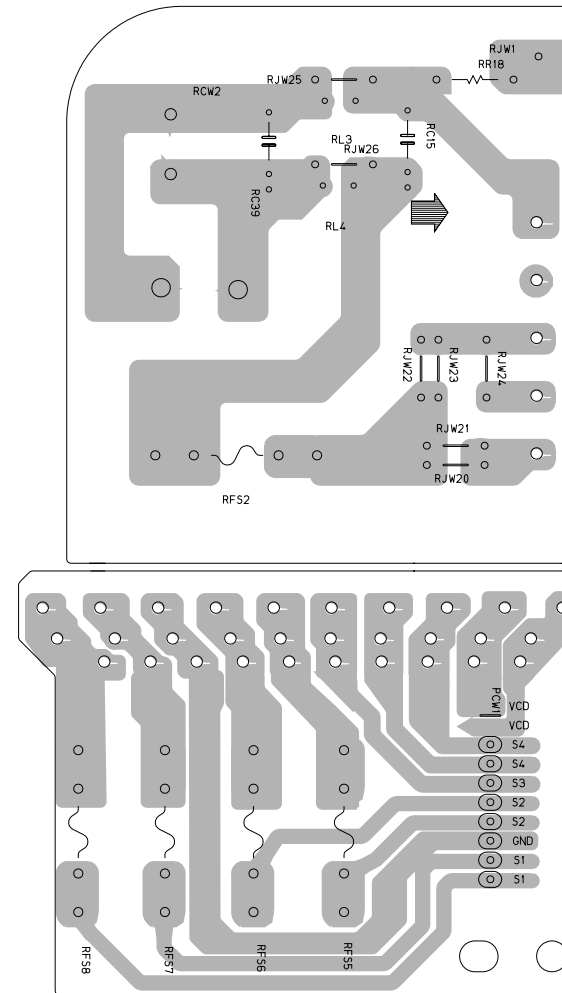
■ Tuner board (Reverse side)



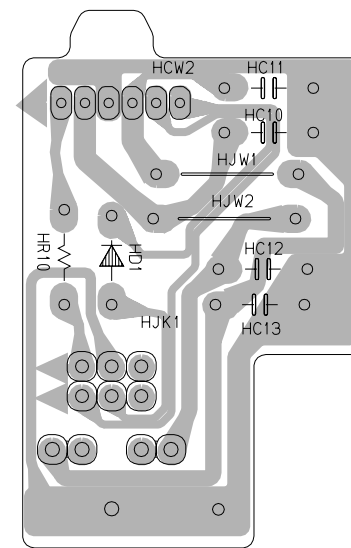
■ Tuner board (Front side)



■ Power transformer board



■ Head phone board



5

4

3

2

1

A

B

C

D

E

F

G